

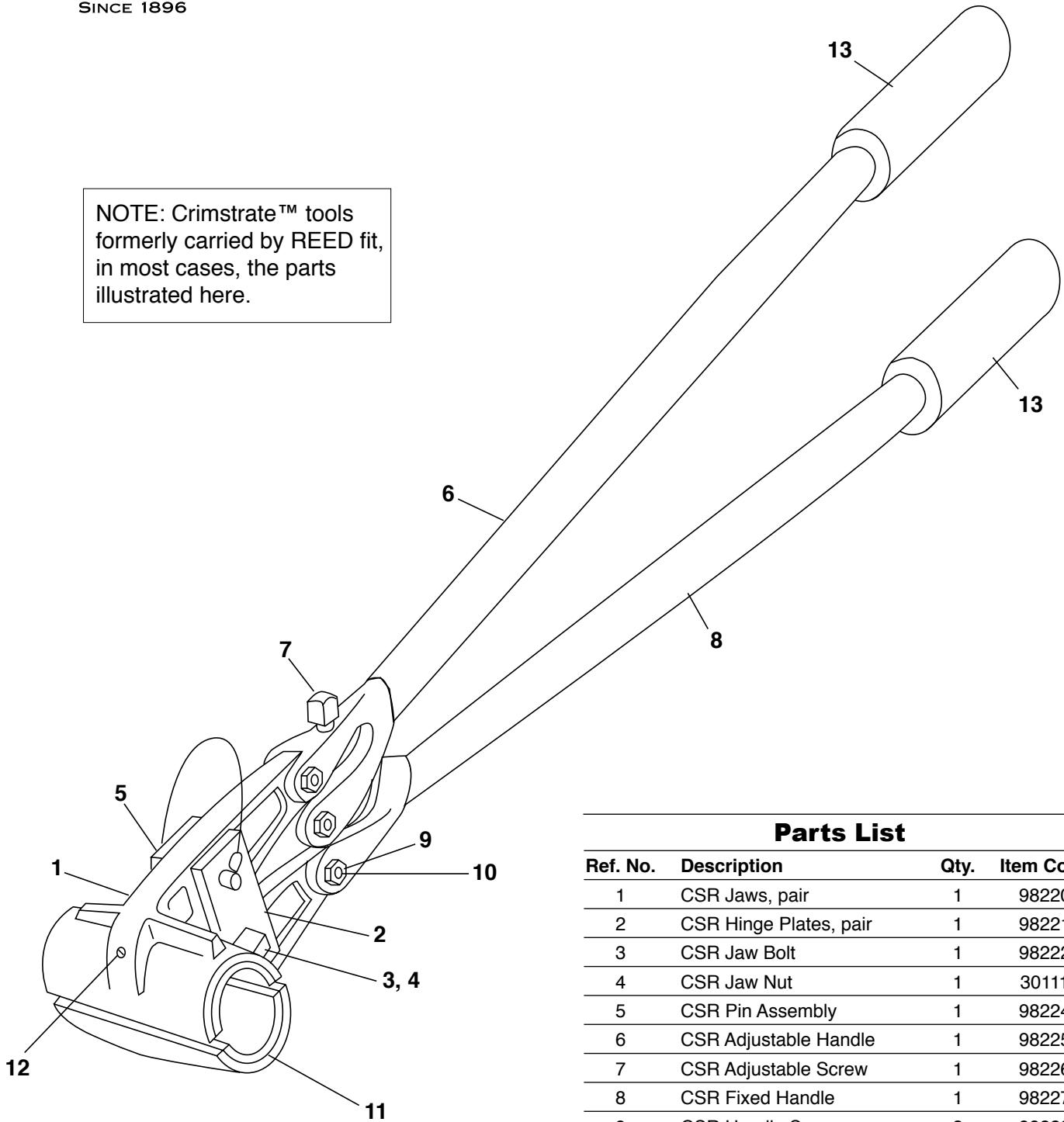


PIPE TOOLS & VISES
SINCE 1896

Round It™ Straightener/Rerounder (CSR2)

Replacement Parts

NOTE: Crimstrate™ tools formerly carried by REED fit, in most cases, the parts illustrated here.



Parts List

| Ref. No. | Description | Qty. | Item Code |
|----------|-----------------------------|------|-----------|
| 1 | CSR Jaws, pair | 1 | 98220 |
| 2 | CSR Hinge Plates, pair | 1 | 98221 |
| 3 | CSR Jaw Bolt | 1 | 98222 |
| 4 | CSR Jaw Nut | 1 | 30111 |
| 5 | CSR Pin Assembly | 1 | 98224 |
| 6 | CSR Adjustable Handle | 1 | 98225 |
| 7 | CSR Adjustable Screw | 1 | 98226 |
| 8 | CSR Fixed Handle | 1 | 98227 |
| 9 | CSR Handle Screws | 3 | 98228 |
| 10 | CSR Handle Nuts | 3 | 98229 |
| 11 | CSR Insert 1 1/2 Tube, pair | 1 | 08224 |
| 12 | CSR Insert Screw | 1 | 98230 |
| 13 | Handle Grip | 2 | 46481 |

Reed Manufacturing
1425 West 8th Street
Erie, PA 16502 USA

QUALITY
& Service
that Last a Lifetime

Phone: 800-666-3691 or +1-814-452-3691
reedsales@reedmfgco.com
www.reedmfgco.com

RP-1120-25