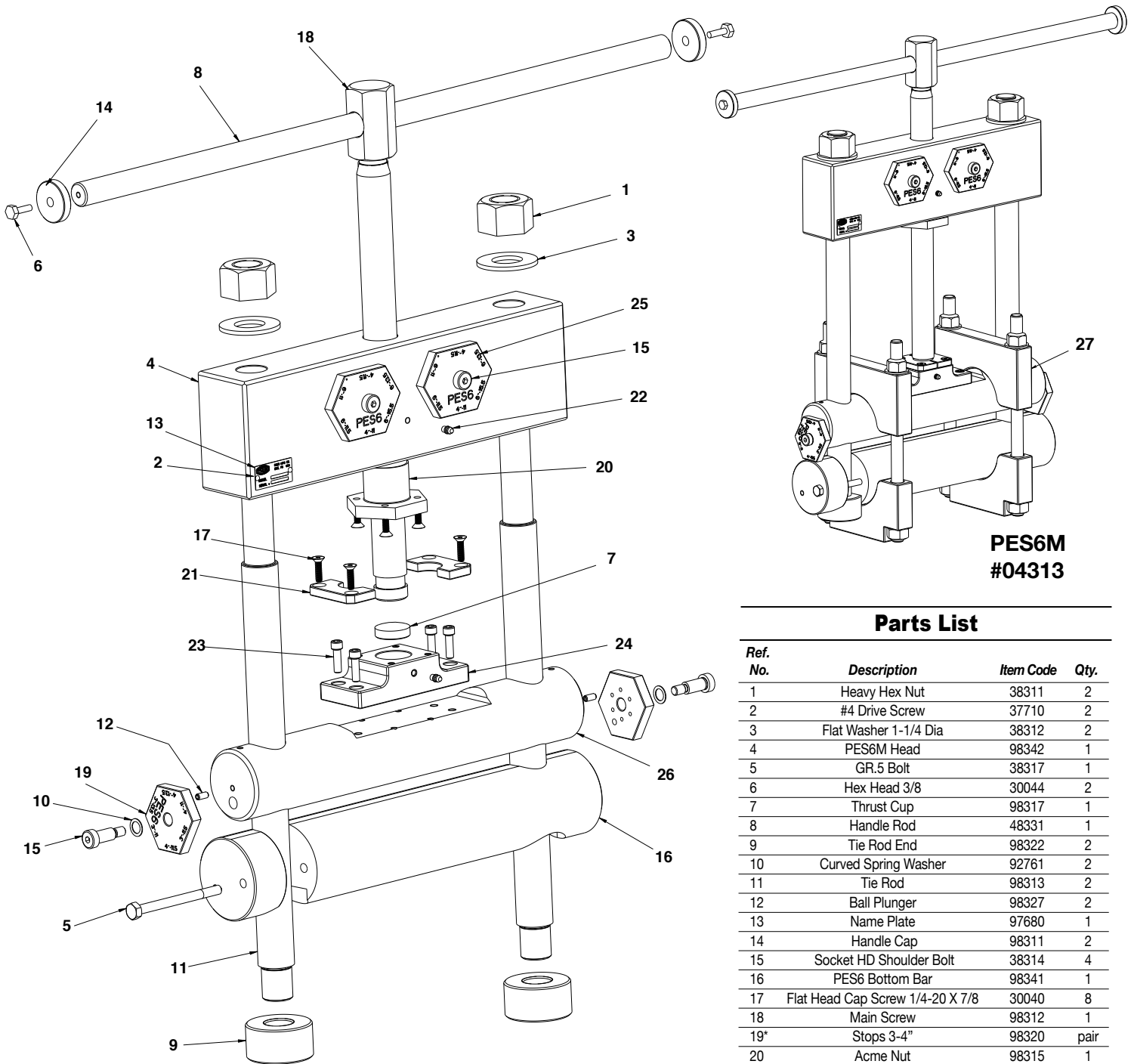




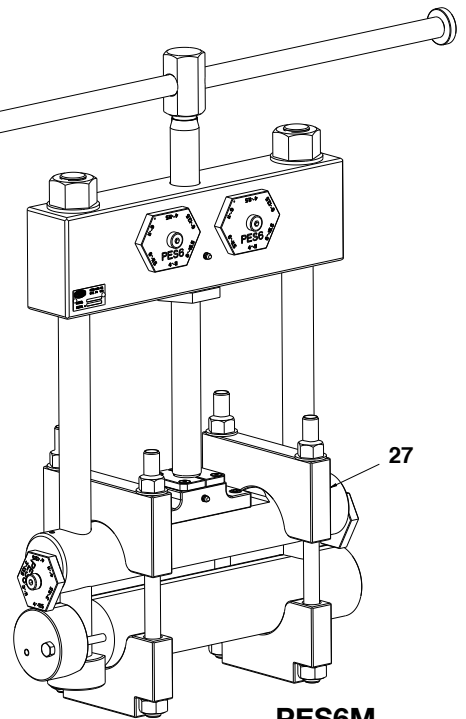
PIPE TOOLS & VISES
SINCE 1896

PES6M PE Squeeze-Off Tool (Manual)

Replacement Parts



Units released after August 2014 include web sling for lifting.



**PES6M
#04313**

Parts List

Ref. No.	Description	Item Code	Qty.
1	Heavy Hex Nut	38311	2
2	#4 Drive Screw	37710	2
3	Flat Washer 1-1/4 Dia	38312	2
4	PES6M Head	98342	1
5	GR.5 Bolt	38317	1
6	Hex Head 3/8	30044	2
7	Thrust Cup	98317	1
8	Handle Rod	48331	1
9	Tie Rod End	98322	2
10	Curved Spring Washer	92761	2
11	Tie Rod	98313	2
12	Ball Plunger	98327	2
13	Name Plate	97680	1
14	Handle Cap	98311	2
15	Socket HD Shoulder Bolt	38314	4
16	PES6 Bottom Bar	98341	1
17	Flat Head Cap Screw 1/4-20 X 7/8	30040	8
18	Main Screw	98312	1
19*	Stops 3-4"	98320	pair
20	Acme Nut	98315	1
21	Retainer Plate	98316	2
22	Grease Fitting	98323	2
23	Socket Head Cap Screw	30257	4
24	Thrust Plate	98344	1
25*	Stops 4-6"	98356	pair
26	PES6H Top Bar	98348	1
27	Clamp Assembly	04311	2
28	Web Sling (not shown)	98329	1

*PES6METRIC Metric units include stops 98360 & 98319SO, pair of each.

Reed Manufacturing Company
1425 West 8th Street
Erie, PA 16502 USA

QUALITY
&Service
that Last a Lifetime

Phone: 800-666-3691 or 814-452-3691
Fax: 800-456-1697 or 814-455-1697
www.reedmfgco.com