



PIPE TOOLS & VISES  
SINCE 1896



601PDTAP

# 601PDTAP Power Drive

REED 601PDTAP Power Drive is a hand-held, portable, electric, heavy-duty power drive which provides power for drilling and tapping machines — specifically the Reed TM1100, DM1100, DM2100, CDTM1100, and CDTM2100.

- Add power to drilling and tapping jobs, and save hours of hand-cranking
- Power drive with custom 13/16" adapter to fit REED and other tapping/drilling machines
- Durable, lightweight unit includes carrying case for tool protection
- Electric powered, 110-120V, 50-60 Hz

Machine made in Spain. Handle and adapter made in USA.



## WARNING!

**READ AND UNDERSTAND ALL INSTRUCTIONS.  
FAILURE TO FOLLOW ALL INSTRUCTION LISTED  
INSIDE MAY RESULT IN ELECTRIC SHOCK, FIRE,  
AND/OR SERIOUS PERSONAL INJURY.**

## SAVE THESE INSTRUCTIONS!

REED MANUFACTURING  
1425 WEST EIGHTH ST. ERIE, PA 16502 USA  
PHONE: 800-666-3691 OR +1-814-452-3691 reedsales@reedmfgco.com  
[www.reedmfgco.com](http://www.reedmfgco.com)

## WORK AREA SAFETY

1. **Keep your work area clean and well lit. Cluttered benches and dark areas invite accidents.**
2. **Do not operate power tools in explosive atmospheres, such as in the presence of flammable liquids, gases, or dust.** Power tools create sparks that may ignite the dust or fumes.
3. **Keep bystanders, children, and visitors away while operating a power tool.** Distractions can cause you to lose control.
4. **Do not let visitors contact tool or extension cord.** Such preventive measures reduce the risk of injury.

## ELECTRICAL SAFETY

1. **Electrical tools must be plugged into properly installed outlets. Check with a qualified electrician if you are in doubt as to whether the outlet is properly installed.**
2. **Avoid contact with grounded surfaces such as pipes, radiators, ranges, and refrigerators.** There is increased risk of an electrical shock if your body is grounded.
3. **Don't expose power tools to rain or wet conditions.** Water entering a power tool will increase the risk of electrical shock.
4. **Do not abuse cord. Never use the cord to carry the tool or pull the plug from an outlet. Keep cord away from heat, oil, sharp edges or moving parts. Replace damaged cords immediately.** Damaged cords increase the risk of electrical shock.
5. **When operating a power tool outside, use an extension cord marked "W-A" or "W".** These cords are rated for outdoor use and reduce the risk of electrical shock.
6. **Connect the tool to an AC power supply that matches the name plate specifications.** Incorrect voltage supply can cause electrical shock or burns.
7. **Use proper extension cords (see chart).** Insufficient conductor size will cause excessive voltage drop, loss of power and overheating.

Minimum Wire Gauge for Cord Set			
Nameplate Amps	TOTAL LENGTH (IN FEET)		
	0 - 25	26 - 50	51 - 100
0 - 6	18 AWG	16 AWG	16 AWG
6 - 10	18 AWG	16 AWG	14 AWG
10 - 12	16 AWG	16 AWG	14 AWG
12 - 16	14 AWG	12 AWG	NOT RECOMMENDED

## PERSONAL SAFETY

1. **Stay alert, watch what you are doing and use common sense when operating a power tool. Do not use tool while tired or under the influence of drugs, alcohol, or medications.** A moment of inattention while operating power tools may result in serious personal injury.
2. **Dress properly. Do not wear loose clothing or jewelry. Contain long hair. Keep your hair, clothing and gloves away from moving parts.** Loose clothes, jewelry, or long hair can be caught in moving parts.
3. **Avoid accidental starting. Be sure switch is OFF before plugging in.** Carrying tools with your finger on the switch or plugging tools in that have the switch ON invites accidents.
4. **Remove adjusting keys or switches before turning the tool ON.** A wrench or a key that is left attached to a rotating part of the tool may result in personal injury.

5. **Do not overreach. Keep proper footing and balance at all times.** Proper footing and balance enable better control of the tool in unexpected situations.
6. **Use safety equipment. Always wear eye protection.** Dust mask, nonskid safety shoes, hard hat, or hearing protection must be used for appropriate conditions.

## TOOL USE AND CARE

1. **Do not force tool. Use the correct tool for your application.** The correct tool will do the job better and safer at the rate for which it is designed.
2. **Do not use any tool if switch does not turn it ON or OFF.** Any tool that cannot be controlled by the switch is dangerous and must be repaired.
3. **Disconnect the plug from the power source before making any adjustments, changing accessories, or storing the tool.** Such preventive safety measures reduce the risk of starting the tool accidentally.
4. **Store idle tools out of the reach of children and other untrained persons.** Tools are dangerous in the hands of untrained persons.
5. **Maintain tools with care. Keep cutting tools sharp and clean.** Properly maintained tools with sharp cutting edges are less likely to bind and are easier to control.
6. **Check for misalignment or binding of moving parts, breakage of parts, and any other condition that may affect the tool's operation. If damaged, have the tool serviced before using.** Many accidents are caused by poorly maintained tools.
7. **Use only accessories that are recommended by the manufacturer of your model.** Accessories that are suitable for one tool may become hazardous when used on another tool.
8. **Inspect tool and extension cords periodically and replace if damaged.** Damaged cords increase the risk of electrical shock.
9. **Keep handles dry and clean, free from oil and grease.** Clean handles allow better control of the tool.

## SERVICE

1. **Tool service must be performed only by qualified repair personnel.** Service or maintenance performed by unqualified repair personnel could result in injury.
2. **When servicing a tool, use only identical replacement parts. Follow instructions in the Maintenance Section of this manual.** Use of unauthorized parts or failure to follow maintenance instructions may create a risk of electrical shock or injury.
3. **Follow instructions for lubricating and changing accessories.** Accidents are caused by poorly maintained tools.

## SPECIFIC SAFETY INFORMATION

The Operator's Manual contains specific safety information and instructions for your protection against serious injuries including:


- Loss of fingers, hands, arms or other body parts if clothing or gloves get caught in moving parts.
- Electrical shock or burns from contact with wires, motor or otherpower drive parts.
- Impact injuries, including broken bones if machine tips over or workpiece falls.
- Eye injuries, including being blinded by the workpiece or workpiece chips.




**Read and follow the safety labels on the machine.**

Know the location and functions of all controls before using the tool.

**Switch Safety**

The MOMENTARY CONTACT SWITCH is for your safety. It lets you shut off the motor by removing your finger. If clothing should become caught in the tool, it will continue to wind up. Because this tool has high torque, the clothing itself can bind around your arm or other body parts with enough force to crush or break bones.


WARNING

		
<p><b>WARNING: CLOTHING/GLOVES CAN BE CAUGHT IN MOVING PARTS. FINGERS, HANDS, ARMS OR OTHER BODY PARTS CAN BE CRUSHED OR BROKEN.</b></p> <ul style="list-style-type: none"> <li>• Do not wear gloves.</li> <li>• Keep sleeves and jackets buttoned.</li> <li>• Keep switch in working order.</li> <li>• Do not carry plugged-in tool with finger on switch.</li> </ul>		

**TOOL SAFETY**

1. The **POWER DRIVE** is made to provide power for drilling and tapping machines. Follow instructions in this **Operator's Manual** on tool use. Other uses may increase the risk of injury.
2. **Do not use dull or damaged drills and taps.** Sharp cutting tools are less likely to bind and tool is easier to control
3. **Do not use if MOMENTARY CONTACT SWITCH is broken.** The purpose of the switch is to prevent injuries.
4. **Use both hands and maintain proper footing and balance when operating.** This tool provides a high amount of torque.

**SAVE THESE INSTRUCTIONS!****DESCRIPTION, SPECIFICATIONS AND EQUIPMENT****Description**

The Reed 601PDTAP portable Power Drive is an electric-motor-driven, heavy-duty power drive which provides power for drilling and tapping machines, or other equipment.

**Specifications/  
Standard Equipment****Motor, Gears, Speed**

- 115 Volts, AC (50 - 60 Hz), 750 Watt, double insulated.
- Momentary contact switch, spring return to OFF position.
- Mechanical forward/reverse switch; 25 RPM forward and 60 RPM reverse.
- Spur gear reduction, bearing mounted shafts, gears packed in grease.

- Gear case is cast aluminum. Motor housing and handle are plastic.
- Handle support is steel.
- Machine weight: 17 lbs (8 kg)

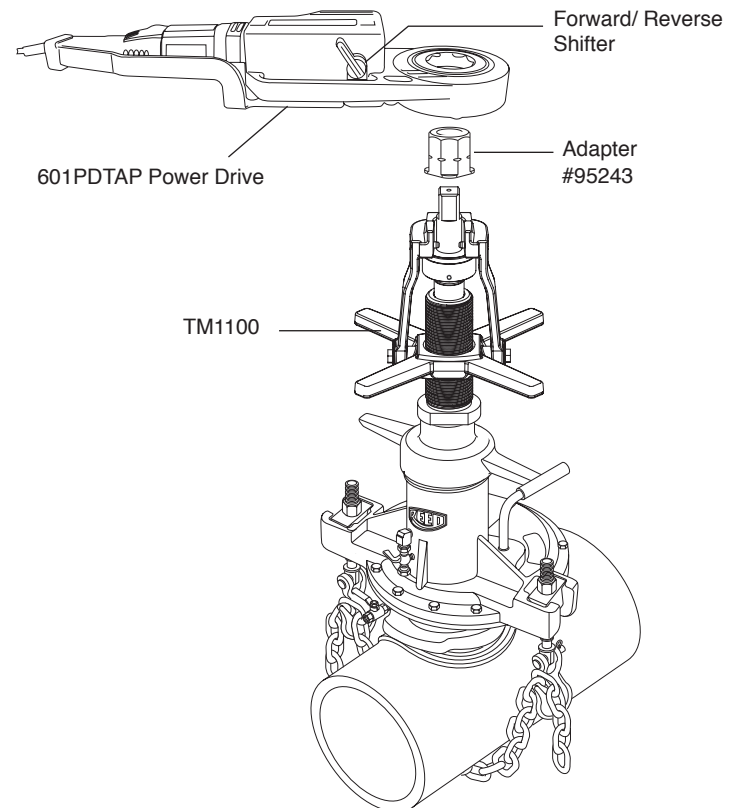
**OPERATING INSTRUCTIONS**

**WARNING: OPERATOR SHOULD BE THOROUGHLY FAMILIAR WITH SAFETY INFORMATION BEFORE ATTEMPTING TO OPERATE THIS EQUIPMENT.**

1. Insert the Adapter into the Power Drive opening until it is securely in place.  
**NOTE:** The adapter should be installed from the side opposite the forward/reverse shifter.
2. Operate the tool in the rotation direction indicated by the arrow on the housing.
3. Insert the tool onto the boring bar (shaft) of the drilling/tapping machine with the forward/reverse shifter facing out.
4. Operate the Power Drive by keeping the switch button depressed until the desired depth has been achieved. Then release the switch button.
5. Once the desired depth has been achieved and after the motor has stopped, set the shifter to the reverse position in order to back out a tap. This step is not necessary to back out a drill.
6. Remove the Power Drive from the boring bar of the drilling/tapping machine once the drilling/tapping tool has been successfully backed out.

**NOTE:** Refer to the Drilling and/or Tapping Machine Operating Instructions for additional instruction information. (#59300 and #59305)

**WARNING: HOLD ON TO POWER DRIVE HANDLE FIRMLY TO RESIST INITIAL TORQUE WHILE BACKING OUT TAPS.**



## MAINTENANCE INSTRUCTIONS

**WARNING: ALWAYS UNPLUG POWER CORD BEFORE SERVICING POWER DRIVE.**

**NOTE:** If any maintenance is required other than brush replacement, take power drive to an authorized Reed warranty repair center or return to factory.

### Motor Brush Replacement

Check motor brushes every 6 months or 250 working hours and replace the brushes when worn to less than 1/4" (5 mm). When checking the brushes for wear, also clean the brush holders with a clean rag.

### Lubrication

Send the machine to an authorized Reed warranty repair center or the Reed factory for greasing every 500 hours of use. It is best to blow dust off the machine after work is over.



**NOTE:**  
Power units (drilling and tapping power drives) are warranted for a period of one year from date of purchase. Contact Reed for details on repair/replacement.



## REED Warranty

REED will repair or replace tools with any defects due to faulty materials or workmanship for one (1) year or five (5) years from the date of purchase, as applicable. This warranty does not cover part failure due to tool abuse, misuse, or damage caused where repairs or modifications have been made or attempted by non REED authorized repair technicians. This warranty applies only to REED tools and does not apply to accessories. This warranty applies exclusively to the original purchaser.

**One (1) year warranty:** Power units for pneumatic, electric, hydraulic and battery-powered tools have a one year warranty. This includes, but is not limited to REED pumps, universal pipe cutter motors, power drives, power bevel tools, threading machines, cordless batteries and chargers.

**Five (5) year warranty:** Any REED tool not specified under the one (1) year warranty above is warranted under the REED five (5) year warranty.

NO PARTY IS AUTHORIZED TO EXTEND ANY OTHER WARRANTY. NO WARRANTY FOR MERCHANTABILITY OR FITNESS FOR A PARTICULAR PURPOSE SHALL APPLY.

No warranty claims will be allowed unless the product in question is received freight prepaid at the REED factory. All warranty claims are limited to repair or replacement, at the option of REED, at no charge to the customer. REED is not liable for any damage of any sort, including incidental and consequential damages. This warranty gives you specific legal rights, and you may also have other rights which vary by state, province or country.



REED MANUFACTURING  
1425 WEST EIGHTH ST. ERIE, PA 16502 USA  
PHONE: 800-666-3691 OR +1-814-452-3691  
[www.reedmfgo.com](http://www.reedmfgo.com)