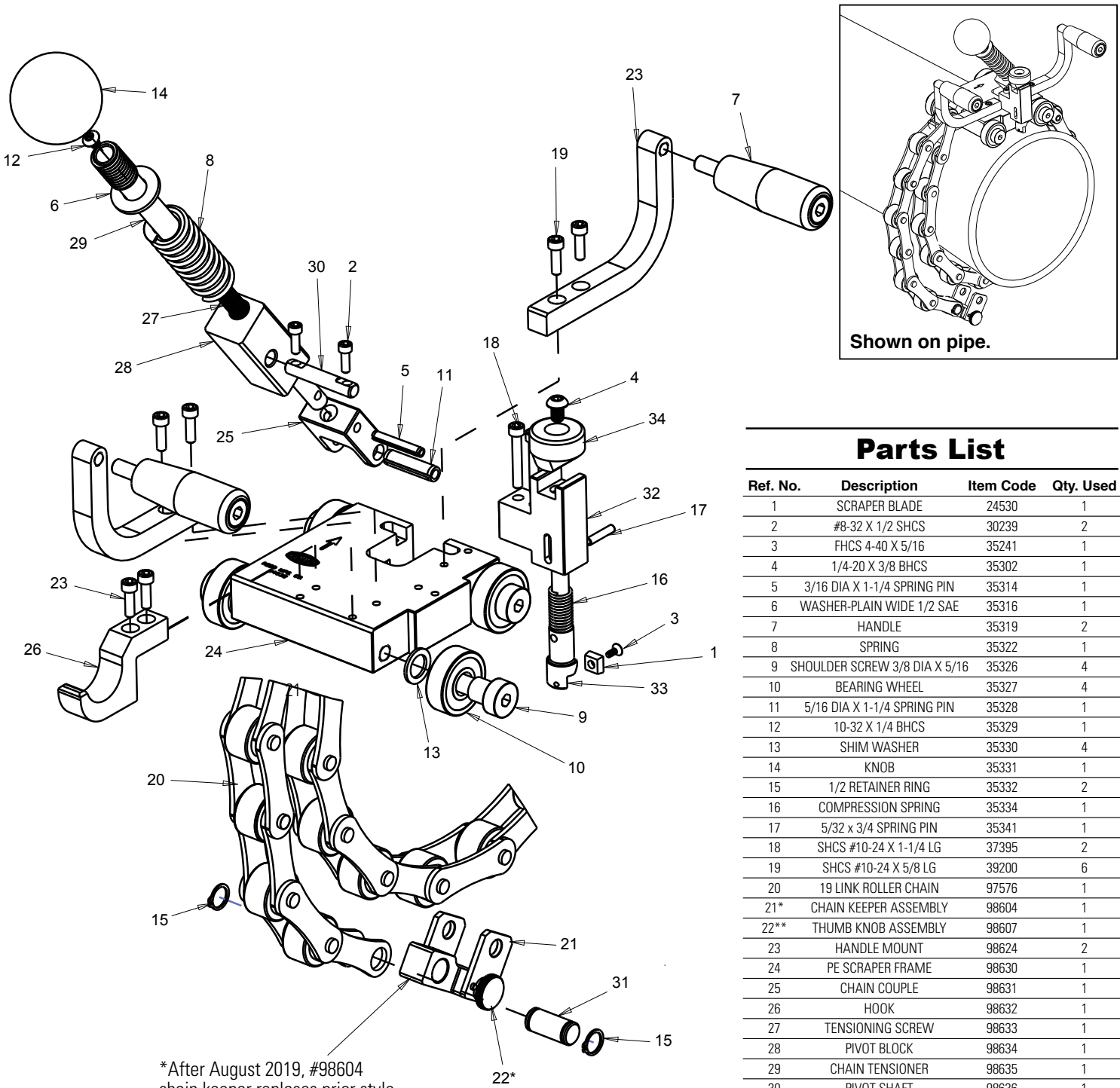




PIPE TOOLS & VISES
SINCE 1896

PE Pipe Peeler (PEPEEL12)

Replacement Parts



Shown on pipe.

Parts List

Ref. No.	Description	Item Code	Qty. Used
1	SCRAPER BLADE	24530	1
2	#8-32 X 1/2 SHCS	30239	2
3	FHCS 4-40 X 5/16	35241	1
4	1/4-20 X 3/8 BHCS	35302	1
5	3/16 DIA X 1-1/4 SPRING PIN	35314	1
6	WASHER-PLAIN WIDE 1/2 SAE	35316	1
7	HANDLE	35319	2
8	SPRING	35322	1
9	SHOULDER SCREW 3/8 DIA X 5/16	35326	4
10	BEARING WHEEL	35327	4
11	5/16 DIA X 1-1/4 SPRING PIN	35328	1
12	10-32 X 1/4 BHCS	35329	1
13	SHIM WASHER	35330	4
14	KNOB	35331	1
15	1/2 RETAINER RING	35332	2
16	COMPRESSION SPRING	35334	1
17	5/32 x 3/4 SPRING PIN	35341	1
18	SHCS #10-24 X 1-1/4 LG	37395	2
19	SHCS #10-24 X 5/8 LG	39200	6
20	19 LINK ROLLER CHAIN	97576	1
21*	CHAIN KEEPER ASSEMBLY	98604	1
22**	THUMB KNOB ASSEMBLY	98607	1
23	HANDLE MOUNT	98624	2
24	PE SCRAPER FRAME	98630	1
25	CHAIN COUPLE	98631	1
26	HOOK	98632	1
27	TENSIONING SCREW	98633	1
28	PIVOT BLOCK	98634	1
29	CHAIN TENSIONER	98635	1
30	PIVOT SHAFT	98636	1
31	RETAINER PIN	98638	1
32	BLADE MOUNT	98640	1
33	BLADE HOLDER	98641	1
34	CONTROL KNOB	98642	1

*After August 2019, #98604 chain keeper replaces prior style magnetic chain keeper.

** #98607 is included in #98604

Reed Manufacturing Company
1425 West 8th Street
Erie, PA 16502 U.S.A.



Phone: 800-666-3691 or 814-452-3691
Fax: 800-456-1697 or 814-455-1697
www.reedmfgco.com