



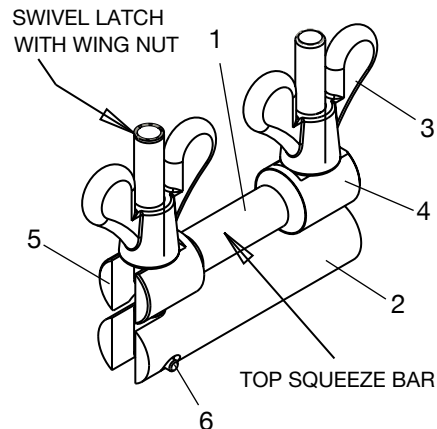
PIPE TOOLS & VISES
SINCE 1896

SSPEX2 - PEX Shut-Off Tool Operating Instructions

#04955

PEX Shut-Off Tools are designed for emergency shut off of 1/2" and 3/4" Pex tubing. The compact design of the SSPEX2 allows the user to reach into difficult locations to seal off PEX tubing. The SSPEX2 uses two wing nuts to squeeze the PEX tubing and secure the tool closed until the repair is complete.

1. Install the SSPEX2 over the PEX tubing to be shut off, then slide the top squeeze bar into place, then rotate the swivel latch with wing nut into place.
2. First snug then squeeze the two bars of the SSPEX2 together evenly by turning the two wing nuts clockwise to tighten.
3. When the user is ready to remove the SSPEX2 tool from the PEX tubing, simply loosen the two wing nuts and rotate the swivel latch allowing the top bar to rotate out of the way.



Parts List

Item	Item Code	Description	Quantity
1	94955	TOP BAR	1
2	94956	BOTTOM BAR	1
3	92776	WING NUT	2
4	94957	FIXED ROD	1
5	94958	SWINGING ROD	1
6	33170SP	SPIROL PIN	1

Reed Manufacturing Company
1425 West 8th Street
Erie, PA 16502 USA

QUALITY
& Service
that Last a Lifetime

Phone: 800-666-3691 or 814-452-3691
Fax: 800-456-1697 or 814-455-1697
www.reedmfco.com

809 - #54954